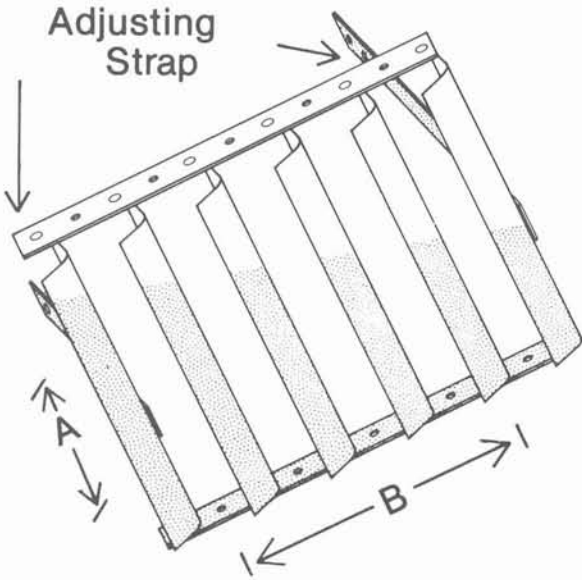


AIR CONTROL DEFLECTOR For Round Take-Off

AIR-TRAC®



MODEL DFR

THE AIR-TRAC® MODEL DFR IS DESIGNED TO EFFICIENTLY DEFLECT SUPPLY AIR INTO A ROUND DUCT FROM A MAIN SUPPLY RUN. BLADES ARE INDIVIDUALLY ADJUSTABLE TO REQUIRED POSITION AND EACH UNIT IS FURNISHED WITH ADJUSTING STRAPS. STANDARD MATERIAL IS GALVANIZED STEEL.

BLADES 24 GA

STRAPS 16 GA

003-DFR

SIZE	A	B
5	4-5/8	7
6	5-5/8	7
8	7-5/8	9
10	9-5/8	11
12	11-5/8	13
14	13-5/8	15
16	15-5/8	17
18	17-5/8	19
20	19-5/8	21
24	23-5/8	25