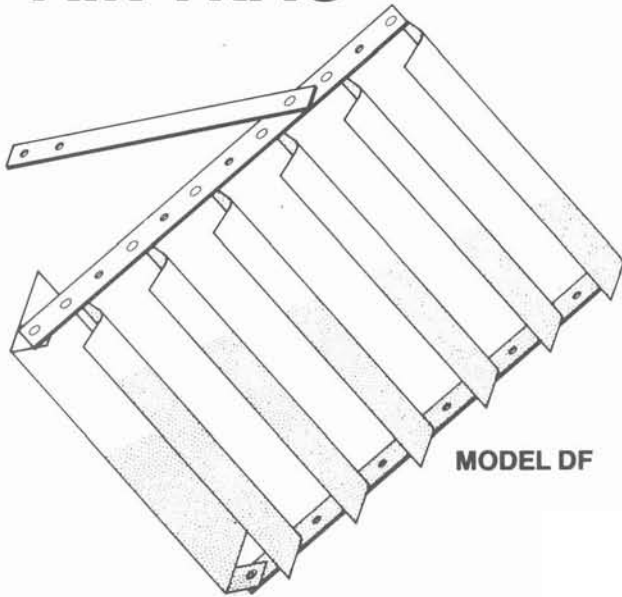


# AIR CONTROL DEFLECTOR

**AIR-TRAC®**



**MODEL DF**

THE **AIR-TRAC®** MODEL DF IS DESIGNED TO EFFICIENTLY DEFLECT SUPPLY AIR INTO A BRANCH DUCT FROM A MAIN SUPPLY RUN. BLADES ARE INDIVIDUALLY ADJUSTABLE TO REQUIRED POSITION AND EACH UNIT IS FURNISHED WITH AN ADJUSTING STRAP. STANDARD MATERIAL IS GALVANIZED STEEL.

BLADES 24 GA      BASE 18 GA      STRAPS 16 GA