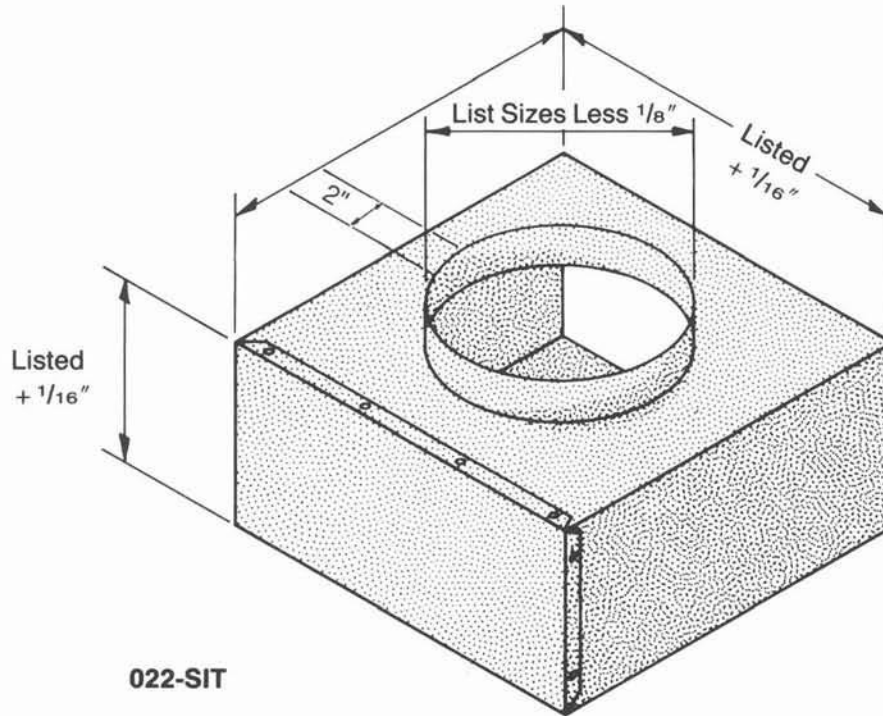


SIDE-INLET TRANSITION

AIR-TRAC®



- STANDARD CONSTRUCTION:**
- 28 gauge galvanized steel
 - Riveted construction
 - 2" high round collar
 - Round collar may vary from 4" up
- Example:** 12 × 12 sq w/12" collar
- Square/rectangular to round

- ALSO AVAILABLE:**
- 4" to 6" high round collar—add 15%
 - 7" to 10" high round collar—add 24%