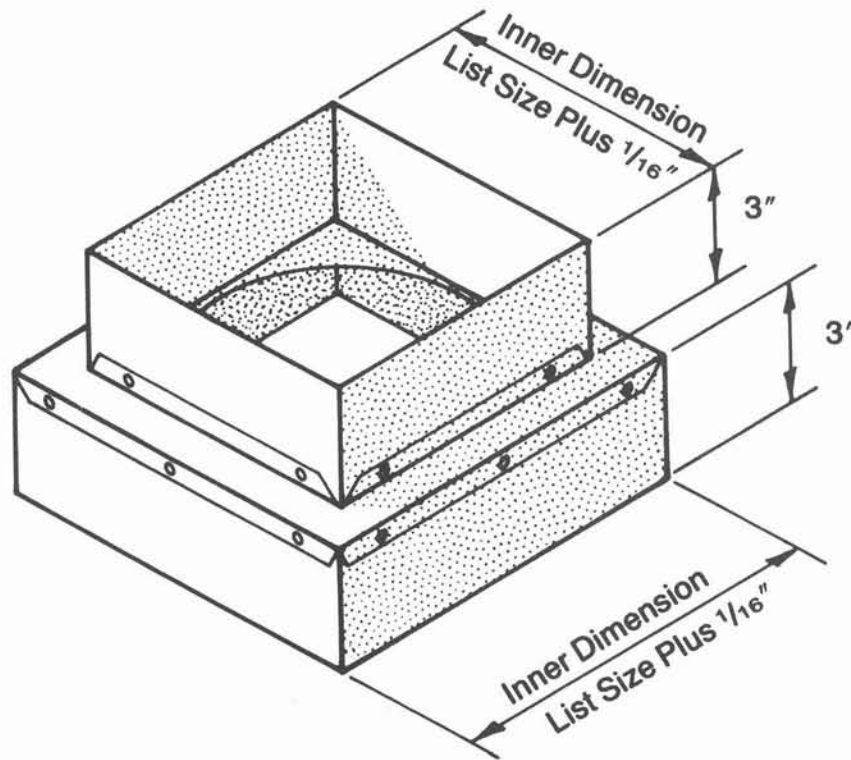


## SQUARE TO SQUARE TRANSITIONS

# AIR-TRAC<sup>®</sup>



021-SST

- STANDARD CONSTRUCTION:**
- 28 gauge galvanized steel
  - Riveted Construction
  - 3" high square w/3" square
  - **Example:** 12 x 12 sq. w/12" collar
  - Square/rectangular to square

- Also Available**
- 4" to 6" high square or square collar
  - 7" to 8" high square or square collar
  - 9" to 12" high square or square collar