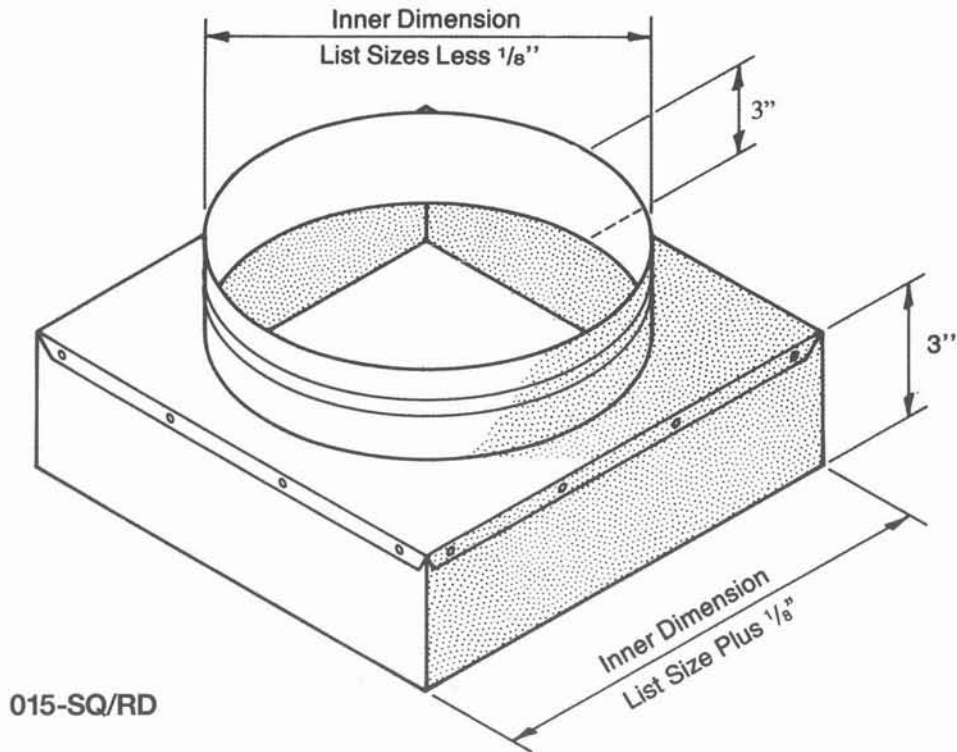


SQUARE TO ROUND TRANSITIONS

AIR-TRAC[®]



- STANDARD CONSTRUCTION:**
- 28 gauge galvanized steel
 - Riveted Construction
 - 3" high square w 3" collar
 - Round collar may vary from 4" to square neck size
- Example:** 12 x 12 sq. w/12" collar
- Square/rectangular to round

- Also Available**
- 4" to 6" high square or round collar
 - 7" to 8" high square or round collar
 - 9" to 12" high square or round collar
 - Square to larger round collar
- Example:** 12 x 12 sq. w/14" collar