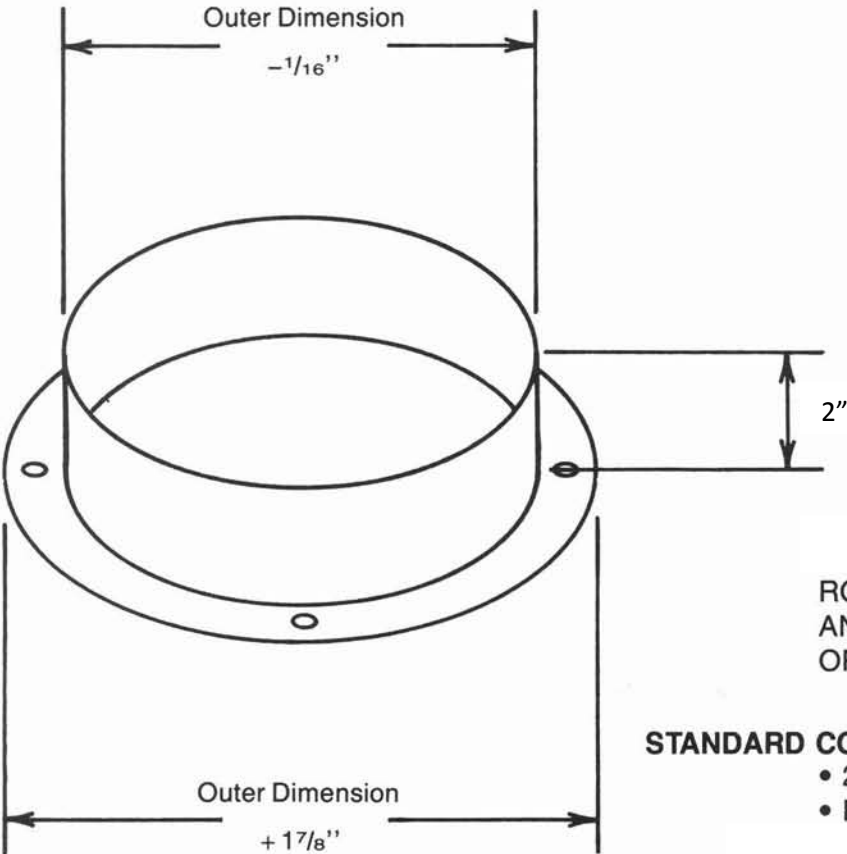


FLEX DUCT TAKEOFF

AIR-TRAC[®]



ROUND FLEX DUCT. FAST, ECONOMICAL AND FASTENS WITH SHEET METAL SCREWS OR TABS.

STANDARD CONSTRUCTION:

- 28 gauge galvanized steel
- Riveted construction

