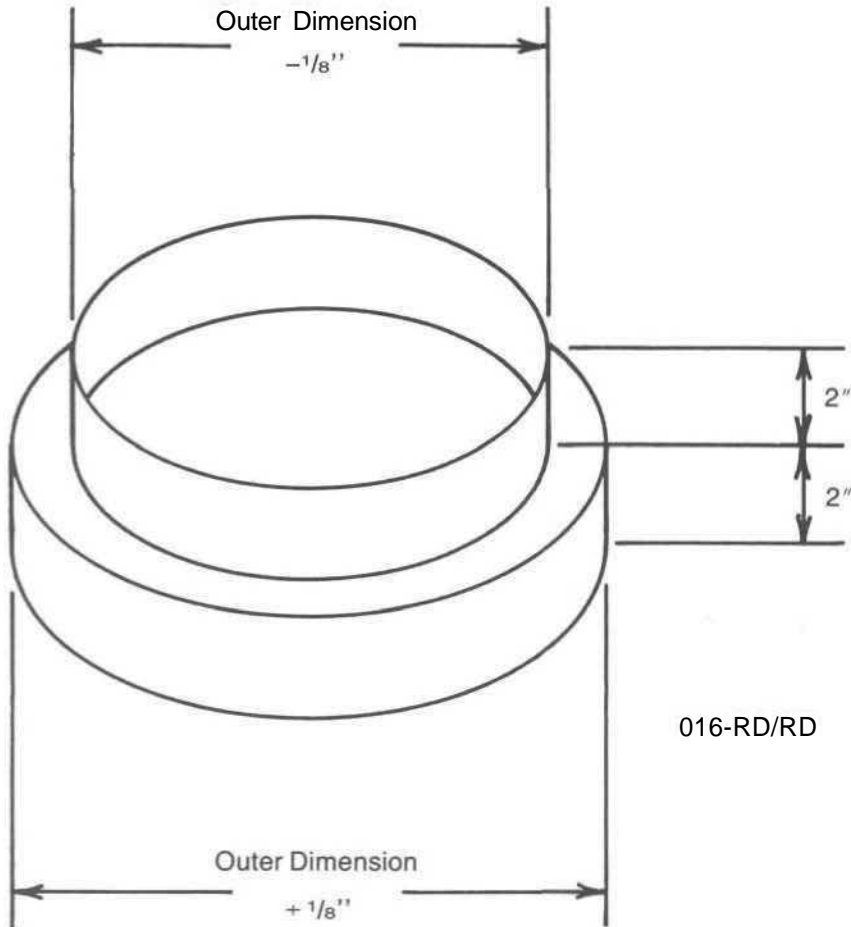


ROUND TO ROUND REDUCERS

AIR-TRAC[®]



STANDARD CONSTRUCTION:

- 28 gauge galvanized steel
- Riveted Construction
- 2" high collars top & bottom

- 3" to 6" high round collars—add 15%
- 7" to 8" high round collars—add 25%
- 9" to 12" high round collars—add 40%